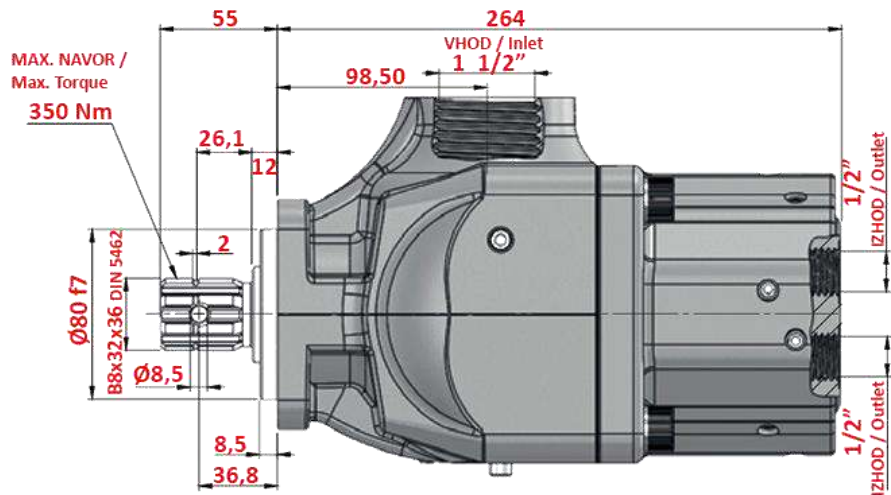
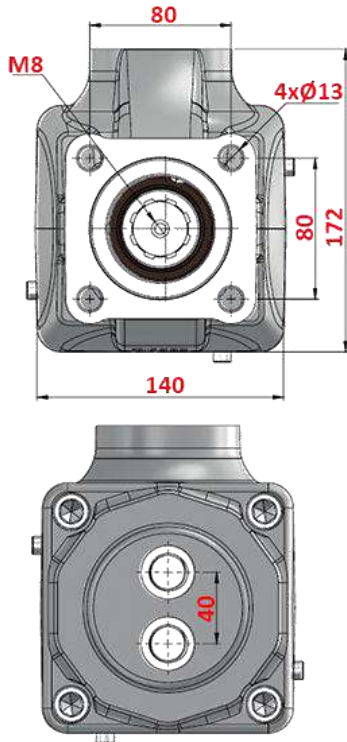


13813

[mm]



Šifra / Code		13813
Pretok (ccm/vrt) / Flow (ccm / rev)	[ccm/rev]	50+50
Max. konst. tlak / Max. const. Pressure	[bar]	300
Max. konst. vrtljaji / Max. const. RPM	[rpm]	1500
Min. vrtljaji / Min. RPM	[rpm]	300
Sesalni navoj / Inlet thread	["]	1 1/2"
Tlačni navoj / Outlet thread	["]	1/2"
Smer vrtenja / Direction		↔
Število batov / No. of pistons		10